

USE, INSTALLATION AND MAINTENANCE INSTRUCTIONS FOR ELECTRICAL BUILT-IN HOT PLATES

Dear User,

we are sincerely grateful to you for purchasing one of our products.

We are sure that the appliance modern, functional and easy to use, built with the finest materials and components will satisfy all your needs.

We would ask that you read the instructions within this booklet very carefully so as to enable you to obtain quality results from the outlets.

The appliance must be installed only by a qualified electrician in compliance with the instructions provided. The manufacturer declines all responsibility for improper installation.

TYPE: PFVZ 02

The manufacturer is not responsible for any transcription errors or misprints contained in this handbook and, furthermore, reserves the right to make any modification on the products, which might be deemed necessary or useful, this being in the user's interest, without altering their basic operating or safety features. ***This cook top was designed to be used exclusively as a cooking appliance: any other use (such as heating rooms) is to be considered improper and dangerous.***

COD. 04043GG - 14.01.2016

WARNING: The appliance and its accessible parts become hot during use.

Care should be taken to avoid touching heating elements. Children less than 8 years of age shall be kept away unless continuously supervised.

This appliance can be used by children aged from 8 years and above and persons with reduced physical, sensory or mental capabilities or lack of experience and knowledge if they have been given supervision or instruction concerning use of the appliance in a safe way and understand the hazards involved.

Children shall not play with the appliance.

Cleaning and user maintenance shall not be made by children without supervision.

WARNING: Unattended cooking on a hob with fat or oil can be dangerous and may result in fire. NEVER try to extinguish a fire with water, but switch off the appliance and then cover flame e.g. with a lid or a fire blanket.

WARNING: Danger of fire: do not store items on the cooking surfaces.

WARNING: If the surface is cracked, switch off the appliance to avoid the possibility of electric shock.

The instructions regarding the **stove**, **hobs** and **ovens** must indicate that you should not use an appliance for steam cleaning.

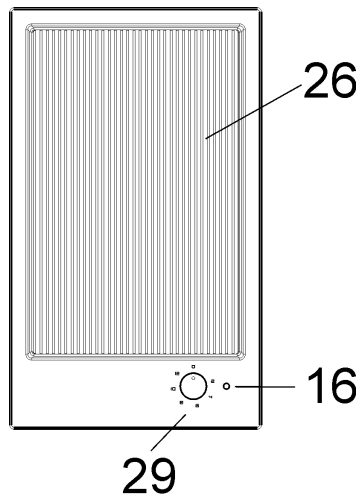
The instructions for **hobs** shall state that the appliance is not intended to be operated by means of an external timer or separate remote-control system.

WARNING: Use only hob guards designed by the manufacturer of the cooking appliance or indicated by the manufacturer of the appliance in the instructions for use as suitable or hob guards incorporated in the appliance. The use of inappropriate guards can cause accidents.

WARNING: The cooking process has to be supervised. A short term cooking process has to be supervised continuously.

DESCRIPTION OF THE HOT PLATES

TYPE: PFVZ 02



16 Residual heat indicator

26 Electric heating element hi-light Ø 185/305 rectangular striped Grill

of 2400 W

29 Electric heating element n° 26 control knob

Caution: this appliance is designed for personal household use only.

CAUTION:

In case of hotplate glass breakage:

- ***shut immediately off all burners and any electrical heating element and isolate the appliance from the power supply;***
- ***do not touch the appliance surface;***
- ***do not use the appliance.***

WARNING:

this appliance has been designed for domestic user or similar such as:

- ***kitchen facilities inside shops, offices, working environments;***
- ***farm holidays facilities;***
- ***guest facilities in hotels, motels and other residential environments;***
- ***in the Bed & Breakfast.***

USE

1) ELECTRIC HOB

The Ceramic grill allows you to cook meat, vegetables, fruit, etc...using small quantities of vegetable fats (butter, oil, coconut oil, lard. In addition to cooking, the appliance can also be used to keep already cooked food hot.

Cooking zones are easily identifiable thanks to the grooved surface on the top; relative powers are listed in the Scheme n. 1.

In some particular models the scheme annexes a light indicator that turns on when the cooking zone temperature is above 60 °C.

The indicator will turn off only when the temperature of the cooking zone will be below the value: this is the reason why we call it residual heat indicator.

Connection of electric heating elements

Heating elements are controlled by energy regulators with 12 positions that permit to obtain a big range of different temperatures.

In Scheme 1, by way of information, we give instructions to obtain different cooking levels.

To connect the heating elements is necessary to

turn clockwise or anticlockwise the relative knob. Indicator light 16 shows the connection of one or more heating elements.

- **Before using the appliance for the first time, carefully clean the appliance including its components as specified in the Chapter 2 on page 6, subsequently, for a few minutes, heat up the empty grilling surface with no food on it.**
- **During this time the appliance may emit smoke or unpleasant odours (due to the burning of the grease used in the manufacturing processes of the appliance), so the room should be well aired during its operation.**
- **The grill surface remains hot even after being switched off; in order to save energy, you can therefore switch the appliance off before the end of cooking time and continue cooking using the remaining heat or you can use this heat to keep already cooked food hot.**

SCHEME 1

Power and dimensions of the cooking zones

Zone n° 26 - Ø 18,5*30,5 "Hi-light" - 2400 W

Position for regulation of the knobs	Possible cookings
2	Keep the food hot
4	Reheat cooked food
6	Cooking plant foods
8	Fish and cook poultry
10	Steaks, veal, pork, hamburgers, hot dogs..
12	Big steak, t-bone, pork chops, large pieces of meat

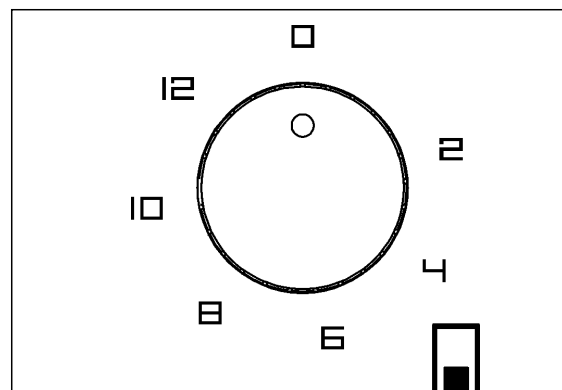


FIG. 1

USE

WARNINGS AND ADVICE FOR THE USER:

**This device is not suitable for cooking foods with the use of pots.
The device may damage**

- ***Do not scrape the pot against the glass so to not damage it.***
- ***During the use of the cooking zones, please, keep the children away from the hot plates. Make sure that the handles of the pots are placed in the right way towards the interior. Be aware that overheated fats and oils may become inflamed.***
- ***Cooking zones after using remain warm; don't leave objects, don't lean your hands so to avoid burns, till the indicator light is off.***
- ***If the glass cracks, please, disconnect the appliance.***
- ***Don't use plastic pots or aluminium sheets.***
- ***Don't use hob as a supplementary surface.***
- ***Do not attempt to change the technical characteristics of the product because it can be dangerous.***
- ***If you should not to use this appliance any more (or replace an old model), before disposing of it, make it inoperative in conformity with current law on the protection of health and the prevention of environmental pollution by making its dangerous parts harmless, especially for children who might play on an abandoned appliance.***
- ***Do not touch the appliance with wet or damp hands or feet.***
- ***Do not use the appliance barefoot.***
- ***The machine must not be used by people (including children) with impaired mental or physical capacities, or without experience of using electrical devices, unless supervised or instructed by an expert adult responsible for their care and safety. Children should not be allowed to play with the equipment.***
- ***The manufacturer will not be liable for any damage resulting from improper, incorrect or unreasonable use.***

- ***During, and immediately after operation, some parts of the cook top are very hot: avoid touching them.***
- ***After using the cook top, make sure that the knob is in the closed position.***
- ***If the plate are not operating correctly, call the Service Department.***

CAUTION: Fire hazard!

Oil and fat can burn when overheated. Keep sufficient safe distance (30 cm) to inflammable objects such as furniture, curtains, etc.

We strongly recommend to not cut up food on the grill surface, but that pieces are cooked after having already been divided into small, individual portions. Only turn the food once it comes away easily from the grill surface: take care not to scratch the cooking surface with utensils: carefully choose kitchen equipment with rounded edges.

CLEANING

Before any cleaning operation, disconnect the appliance from the electric circuit.

2) ELECTRIC HOB

It is very important to clean the surface soon after every use, when the glass is still tepid.

Do not use metallic sponges, powder abrasives or corrosive sprays.

Do not allow vinegar, coffee, milk, salted water, lemon or tomato juice from remaining in contact with the enamelled surfaces for long periods of time.

Depending on the dirty level we recommend:

- slight stains: it is enough the use of a moist clean rag.
- Marks of liquid, can be removed using vinegar or lemon.
- ***Pay attention to not let fall sugar or element with sugar. In this case turn the switch off and clean the surface with hot water .***

The scratches are difficultly removable, but they do not compromise the good working of the hob.

- Don't use steam jets for the equipment cleaning.

- Prepare your food in any desired sequence. Remove food residues to avoid transferring its taste to the next food.

CAUTION: avoid damaging the surface!

- Only use wooden or Teflon spatula.
- Do not use pointed objects (e.g. knife, fork) on the grill surface.
- Do not use plastic utensils. They can melt.
- Do not place or slide pots or containers on the CERAN® surface. This can result in scratches.
- Avoid during grilling ingredients such as sugar, syrup, milk, bananas, tomato ketchup or other BBQ sauces. They can burn in and are difficult to remove. TIP: Remove immediately food residue with a damp sponge to the grill surface. Do not wait for the appliance to cool down.

Warning: during operation the work surfaces of the cooking area become very hot: keep children away!

INSTALLATION

TECHNICAL INSTRUCTIONS FOR THE INSTALLER

IMPORTANT: a perfect installation, adjustment or transformation of the cook top to use other gases requires a **QUALIFIED INSTALLER**: a failure to follow this rule will void the warranty.

Installation, transformations and maintenances below listed, may only be carried out by a competent technician.

The appliance must be correctly installed in conformity with current law and the manufacturer's instructions.

A wrong installation may provoke damages to persons, animals or things, for which the builder can not be responsible.

3) INSERTING

After having cleared out all the packing components, make sure of the integrity of the appliance.

Please keep children away from all packing elements (carton, polystyrene, nails...).

Make a cutout in the worktop, according to the dimensions indicated in fig. 5; make sure that will be respected the critical dimensions of the space in which the appliance has to be installed (fig. 5) and minimal dimension for fig.6.

COMPLY WITH THE DIMENSIONS (mm)

	A	B	C	D	E	F
EL. HOB 30	282	482	59	59	100 min.	120 min.

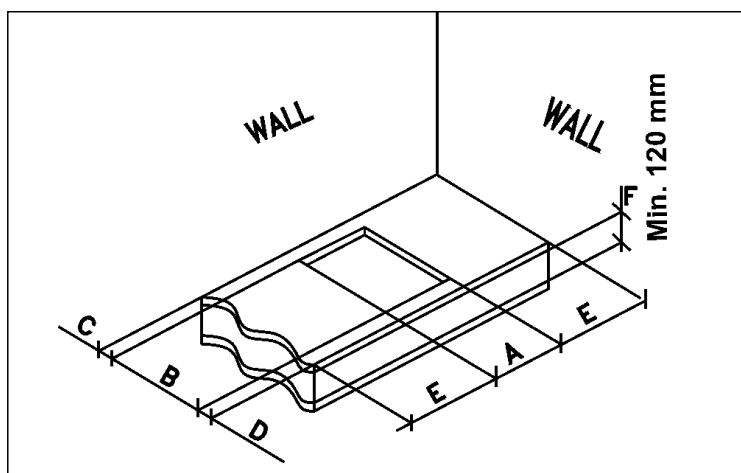


FIG. 5

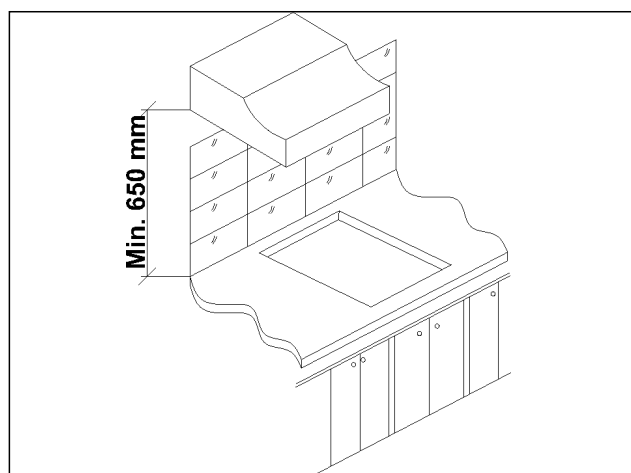


FIG. 6

INSTALLATION

4) FIXING

The hot plate has a special seal which prevents liquid from getting into the cabinet. Strictly comply with the following instructions in order to correctly apply this seal:

- detach the seals from their backing, checking that the transparent protection still adheres to the seal itself.
- Overturn the hot plate and correctly position seal "E" (fig. 7) under the edge of the hot plate itself, so that the outer side of the seal perfectly matches the outer edge of the hot plate. The ends of the strips must fit together without overlapping.
- Evenly and securely fix the seal to the hot plate, pressing into place with the fingers and remove the strip of protective paper from the seal and set the plate into the hole made in the cabinet.
- Fix the hob with the proper brackets "S" and fit the prominent part into the porthole "H" on the bottom; turn the screw "F" until the bracket "S" stick on the top (see fig. 8).

- In order to avoid accidental touch with the overheating bottom of the hob, during the working, is necessary to put a wooden insert, fixed by screws, at a minimum distance of 120 mm from the top (see fig. 5).

WARNINGS:

be aware that the glue that join the laminated plastic to the furniture, has to resist to temperature not below 150 °C, to avoid the unstuck of the panelling.

The installer should bear in mind that the mixed appliance is the Y type. The rear wall, adjacent and surrounding surfaces must therefore be able to withstand an temperature of 90 °C.

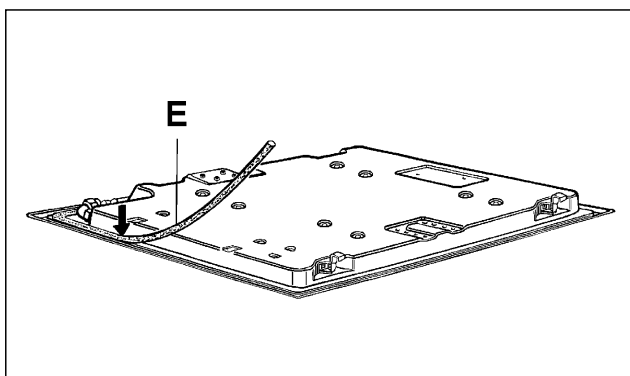


FIG. 7

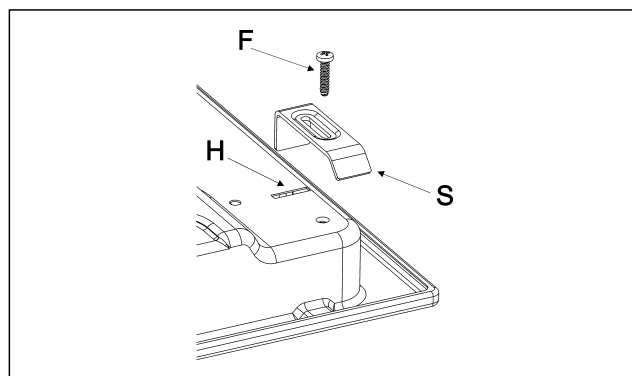


FIG. 8

INSTALLATION

5) ELECTRICAL CONNECTION

IMPORTANT: the appliance must be installed following the manufacturer's instructions. The manufacturer will not be liable for injury to persons or animals or property damage caused by an incorrect installation.

The electrical connections of the appliance must be carried out in compliance with the provisions and standards in force.

Before proceeding with the connection, please, verify that:

- the power of the electrical system and the power of the outlets is adequate to the maximum power of the appliance (see the identification label in the lower part of the body).
- The outlets and all the electrical system has an efficient connection to the "earth" according with the Regulation. We disclaim all responsibilities for not observing such points.
- If the appliance is not equipped with an input cable, connect to the clump with an adequate section cable (see scheme paragraph 7) keeping the "earth" conductor longer than "live" ones, following the scheme of fig. 9.

When the connection to the input system has been done through a outlet:

- apply to the input cable "C", if unprovided, a normalized plug adequate to the load indicated in the identification label. Connect the cables according to the scheme of fig. 9, making sure to respect the undermentioned responses:

Letter L (Live) = cable brown colour;

Letter N (Neutral) = cable blue colour;

Symbol  (Earth) = cable green - yellow colour.

- The input cable has to be located so that never reach the temperature of 90 °C.
- Please do not use in the connection any reduction, adaptation that may provoke a false contact with following dangerous overheatings.
- The outlet must be accessible after the built-in.

When the connection has been done directly to the input system:

- interpose between the appliance and the system an onnipolar switch, in compliance with current installation regulations.
- Keep in mind that the " earth " cable does not have to be interrupted by the switch.
- For optimum safety, the electrical connection can

also be protected by a differential switch with high sensitivity.

We recommend to fix the earth coloured cable to an appropriate earth installation.

Before performing any service on the electrical part of the appliance, it must absolutely be disconnected from the electrical network.

WARNINGS:

all our products are projected and built according with the European Norms EN 60 335-1, EN 60 335-2-6 and relative amendments.

The appliance has been produced according with the European Directives:

- CEE 2004/108/CE concerning the compatibility electromagnetic.
 - CEE 2006/95/CE concerning the electrical security.
 - CEE 2011/65/UE on the restriction of use of certain hazardous substances.
 - Regulation (EU) No 65/2014 supplementing Directive 2010/30/EU.
 - Regulation (EU) No. 66/2014 supplementing Directive 2009/125/EC.
- Standards EN 30-2-1, EN 60350-1, EN 60350-2, EN 50304.**

If the installation requires modifications to the home's electrical system or if the socket is incompatible with the appliance's plug, have changes or replacements performed by professionally-qualified person. In particular, this person must also make sure that the section of the wires of the socket is suitable for the power absorbed by the appliance.

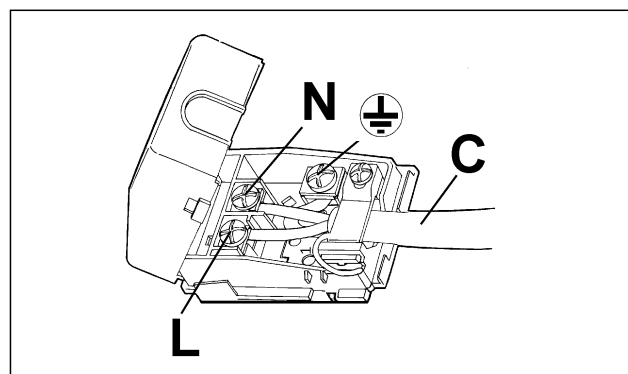


FIG. 9

MAINTENANCE

Before doing any action, disconnect the appliance from the input power.

These operations must be carried out only by an authorized service center

6) COMPONENTS SUBSTITUTION

To replace the components lodged in the internal part, is necessary to take the appliance up from the furniture, overturn it, loosen the screws and take away the bottom.

After these actions is possible to work on the plates, commutators, clamps and input cable.

In case of substitution of the input cable, the installer must keep the "earth" conductor longer than "live" ones, and must respect the cautions in paragraph "ELECTRICAL CONNECTION".

To reassemble the appliance repeat the inverse process.

7) TECHNICAL CHARACTERISTICS OF THE ELECTRICAL COMPONENTS

To facilitate the job of the installer we present a scheme with the characteristics of the components.

POWER OF ELECTRICAL COMPONENTS

DENOMINATIONS	Ø (cm)	POWER (W)	EC ^{electric cooking**} (Wh/Kg)
Electric heating element rectangular "Hi-Light"	18,5 * 30,5	2400	N.A

WARNING: MAINTENANCE MUST ONLY BE PERFORMED BY AUTHORISED PERSONS.

TECHNICAL DATA

MODEL 1 HEATING ELEMENT (GRILL)	
Voltage	220 - 240 V ~
Frequency	50/60 Hz
Tot. Rating	2400 W

MAINTENANCE

TYPE AND SECTION OF THE POWER CABLES

TYPE OF CABLE	SINGLE - PHASE POWER 220-240 V ~
H05 RR - F	Section 3 x 1.5 mm ²
H07 RN - F	Section 3 x 1.5 mm ²

ATTENTION!!!

If the power supply cable is replaced, the installer should leave the ground wire longer than the phase conductors (fig. 10) and comply with the recommendations given in paragraph 8.

In case of failure or cut in the cable, please move away from the cable and do not touch it. Moreover the device must be unplugged and not switched on. Call the nearest authorized service center to fix the problem.

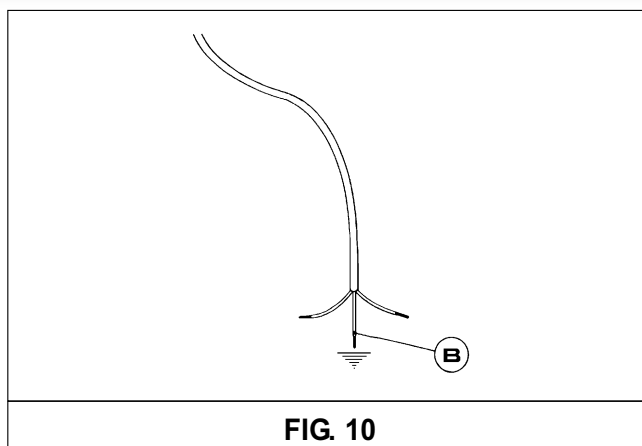


FIG. 10

WARNING: MAINTENANCE MUST ONLY BE PERFORMED BY AUTHORIZED PERSONS.

TECHNICAL ASSISTANCE AND SPARE PARTS

This appliance, before leaving the factory, has been carefully tested and regulated by expert and specialized personnel in order to guarantee the best performances.

Any repairs or adjustments which may be subsequently required may only be carried out by qualified personnel with the utmost care and attention.

For this reason, always contact your Dealer or your nearest After Sales Centre whenever repairs or adjustments are required, specifying the type of fault and the model of appliance in your possession.

Please also note that genuine spare parts are only available from our After Sales Service Centres and authorized retail outlets.

The above data are printed on the data label put on the inferior part of the appliance and on the packing label.

The above informations give to the technical assistant the possibility to get fit spare parts and a heaven-sent intervention. We suggest to fill the table below.

MARK:

MODEL:

SERIES:

This appliance is marked according to the European directive 2002/96/EC on Waste Electrical and Electronic Equipment (WEEE).

This guideline is the frame of a European-wide validity of return and recycling on Waste Electrical and Electronic Equipment.

