



**MAXXAIR 3100  
DATA INQUIRY SHEET  
441X3-696\*  
INTERNATIONAL HEAT PUMP  
With SOFT START DEVICE**

Cooling Capacity <sup>1</sup>	3.1 kw
Electrical Rating	230 VAC
Cooling Full Load AMP's at A.H.R.I. Standard Condition, 26.7°C Indoor, 35°C Outdoor	Compressor 3.80 I.D. Motor Low – 0.55 Med. – 0.58 High – 0.60 O.D. Motor Low – 0.55 High – 0.60
Running Watts (cooling) A.H.R.I. Standard Condition	1050
Running Watts (cooling) Desert Condition <sup>2</sup> 37.8°C Indoor, 48.9°C Outdoor	1270
Compressor Locked Rotor Amps	24
Soft Start Device	Up to 70% reduction of Compressor Locked Rotor Amps
Metering Device	Bi-Flow Restrictor
Refrigerant Charge – R-410A	595 Grams
Evaporator Air Delivery (High Speed)	118 L/S
Generator Size	See "Generators" Below
Unit Weight - includes ceiling assembly	38.4 Kg
Use time delay fuse or circuit breaker Max. rated 10 Amps, Use min. 14 AWG copper supply wires.	

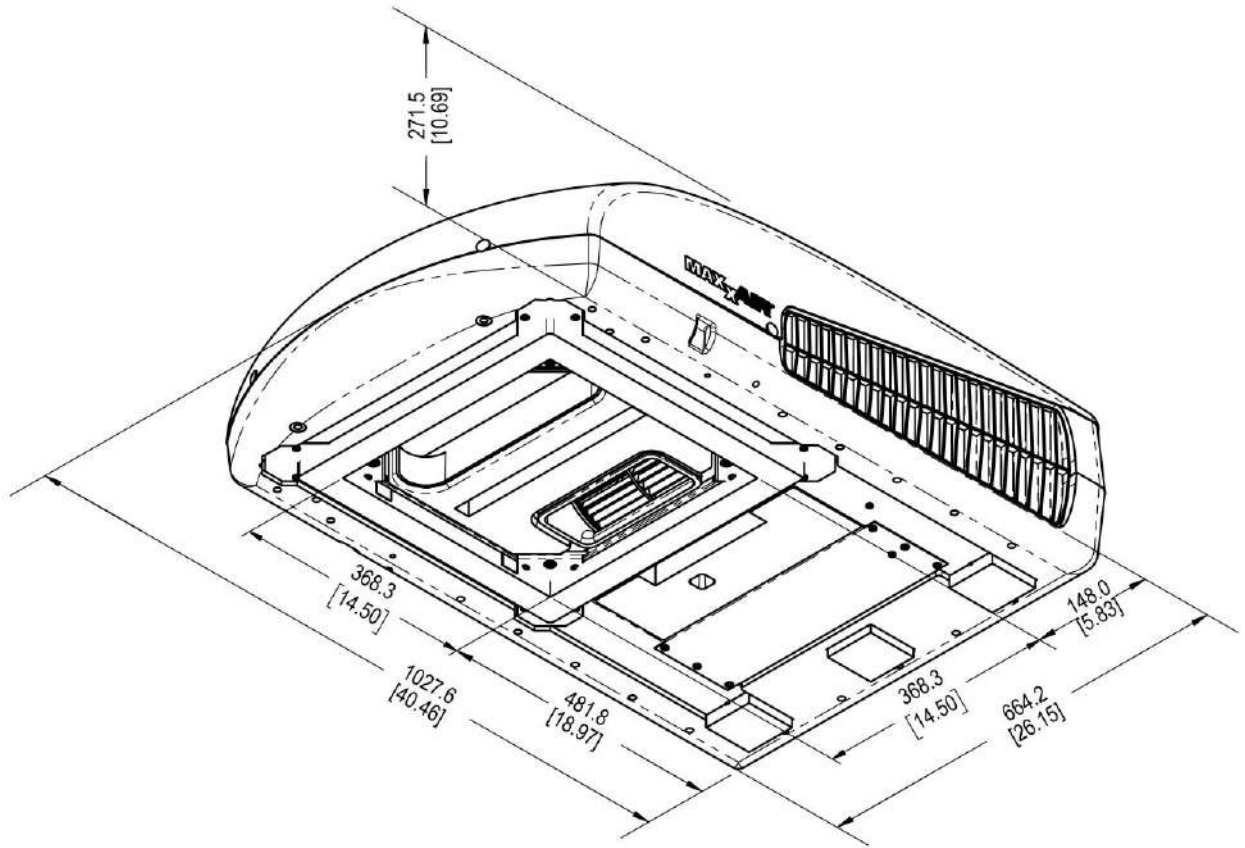
**GENERATORS:**

It is not the policy of Airxcel, Inc. to size generators for application in Recreation Vehicles or related structures. However, when sizing generators, the total electrical power consumption in Watts must be determined and taken into consideration, such as:

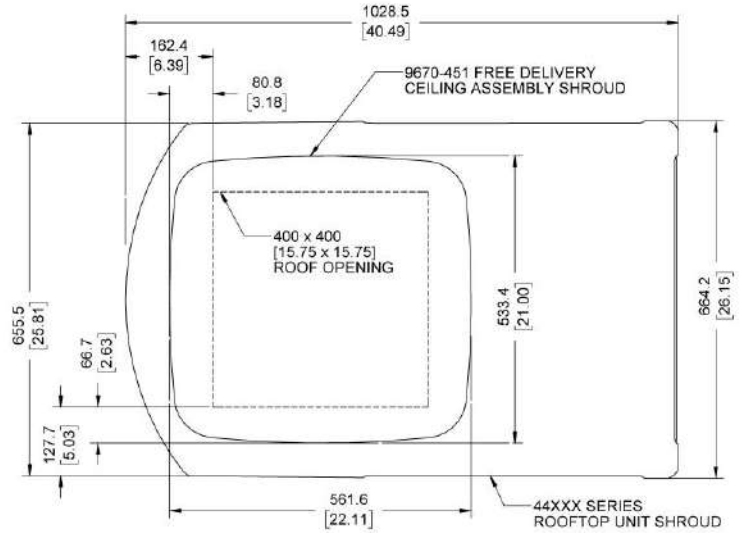
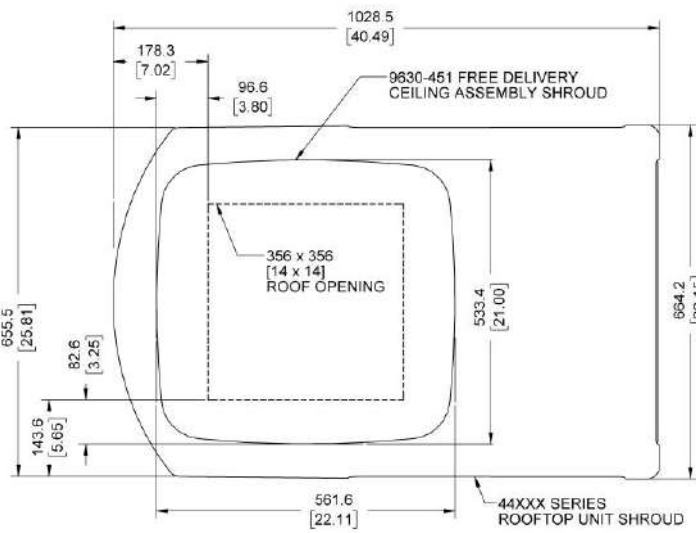
- A. Maximum running watts of the air conditioner at Airxcel, Inc. Desert Test (See Specifications).  
<sup>2</sup> Desert Conditions 100°F/72°F (37.8°C/22.2°C) Indoor (DB/WB); 120°F (48.8°C) Outdoor.
- B. Power consumption of electronic ovens, toasters, coffeemakers, television sets, refrigerators, lights, etc.
- C. Generators do lose capacity under the following conditions: (1) Altitude increases above sea level, (2) Temperature increases above certain outdoor design temperatures, and (3) Lack of maintenance.

**Airxcel Inc.  
RV Products Division  
P.O. Box 4020  
Wichita, KS 67204**

## ROOF TOP UNIT DIMENSIONS



## CEILING SHROUD DIMENSIONS



## CEILING SHROUD DIMENSIONS

DIMENSIONS (mm/inches)	
Exterior Shroud	Height 271.5 / 10.69
	Width 664.2 / 26.15
	Length 1,028.5 / 40.49
Interior Shroud	Depth 51 / 2.0
	Width 533 / 21.00
	Length 562 / 22.11

## UNIT PROFILE

