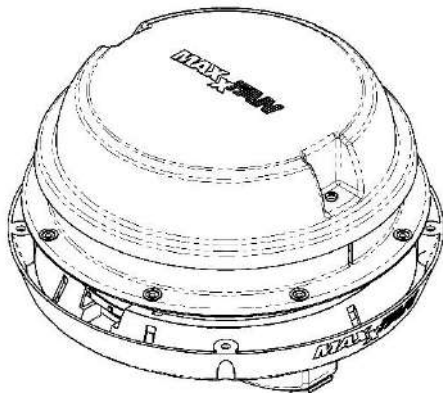


MAXXFAN DOME

INSTALLATION INSTRUCTIONS, INFORMATION AND OPERATING GUIDE FOR MODELS 3810, 3812



READ AND SAVE THESE INSTRUCTIONS

NOTE: Refer to Installation Instructions, Information and Operation Guides regarding the model you have purchased.

The **MAXXFAN Dome** fan is an exhaust fan only.

The **MAXXFAN Dome** fan installs into a 6 1/4 inch diameter opening.

To determine if your roof opening is correctly sized, simply remove the interior ceiling garnish trim ring of your existing roof vent and measure the ceiling opening or verify the opening is large enough by sliding the **MAXXFAN Dome** sleeve into the opening.

The **MAXXFAN Dome** is designed for a minimum roof thickness of 1 inch to a maximum of 6 inches.

The **MAXXFAN Dome** fan requires a minimum 12 Volt DC, 2 amp service. Confirm that the circuit you intend to use will accommodate the additional load. Circuit must be fused and use appropriate gauge stranded wire for electrical connections.

WARNING! TO REDUCE THE RISK OF FIRE, ELECTRIC SHOCK, OR INJURY TO PERSONS, OBSERVE THE FOLLOWING:

- a) Use this unit in the manner intended by AIRXCEL, INC. If you have questions, contact the manufacturer.
- b) Before servicing or cleaning unit, switch power off at service panel and lock the service disconnecting means to prevent power from being switched on accidentally. When the service disconnecting means cannot be locked, securely fasten a prominent warning device, such as a tag, to the service panel.

CAUTION! FOR GENERAL VENTILATION USE ONLY. DO NOT USE TO EXHAUST HAZARDOUS OR EXPLOSIVE MATERIALS AND VAPORS.

This page intentionally left blank

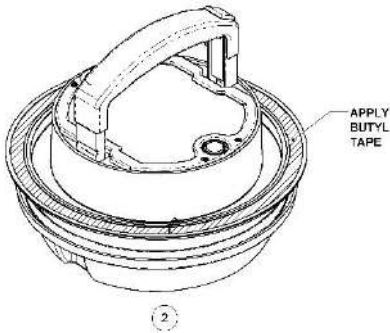
INSTALLATION INSTRUCTIONS

WARNING! TO REDUCE THE RISK OF FIRE, ELECTRIC SHOCK, OR INJURY TO PERSONS, OBSERVE THE FOLLOWING:

Installation work and electrical wiring must be done by qualified persons(s) in accordance with all applicable codes and standards, including fire-rated construction.

STEP 1

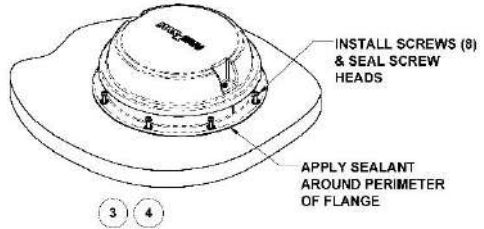
The **MAXXFAN Dome** fan requires a minimum 6 1/4 inch diameter roof opening. If you are replacing another type already installed, remove the old existing roof vent. Remove all old roof sealant for a minimum of 2" entirely around the roof opening.



STEP 2

Prior to installing the **MAXXFAN Dome** in the roof opening, apply a continuous strip of BUTYL tape or equivalent to the underside of the flange in the groove provided.

CAUTION! When installing your **MAXXFAN Dome** fan, only use a caulking/sealant compatible with the flange (plastic product) and the roof surface. DO NOT use materials containing solvents such as or similar to Xylene, Toluene, Methyl Ethyl Ketone (MEK), Acetate or Acetone as they can damage the flange. Also, Polysulfide (Thiokol) type sealants must be avoided. If in doubt, please contact the manufacturer of your RV.



STEP 3

When inserting the **MAXXFAN Dome** fan into the roof opening:

- orient the fan with the button toward the front of the coach.
- ensure that the fan wires are hanging to the inside of the coach.

Center the fan in the opening.

Using the eight (8) screws provided, attach the flange to the roof at each dimple location along the flange.

Note: Opening the fan lid gives better access to the flange for assembling the screws.

Screw into the dimple to pierce the flange, making sure not to overtighten the screws to avoid cracking the flange.

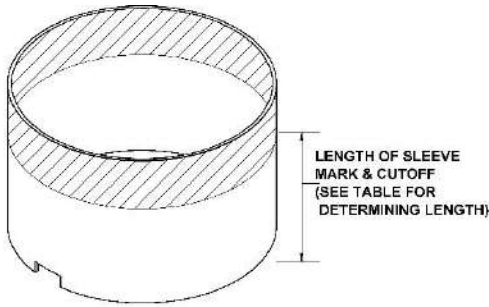
STEP 4

After the **MAXXFAN Dome** fan has been installed, remove the excess BUTYL caulk that may have squeezed out. Using a sealer such as Dicor self-leveling lap sealant or similar caulking, apply a daub over every exposed screw head. In addition, apply a bead (approximately 3/16" dia.) along the outside edge of the flange all the way around the fan.

THIS COMPLETES THE ROOF TOP PORTION OF THE INSTALLATION

CAUTION! Disconnect main vehicle power before connecting 12 volt DC power to the **MAXXFAN Dome** exhaust fan.

STEP 5



5

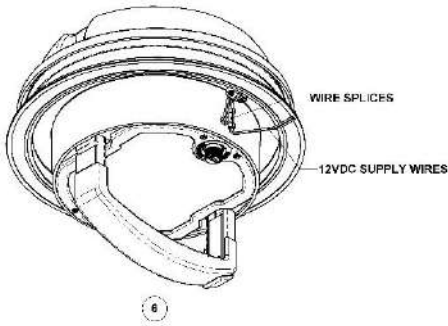
- If the roof is thicker than 1 inch the extension sleeve must be used.
- A roof that is 6 inches thick will use the full-length extension sleeve without trimming.

VEHICLE ROOF THICKNESS	SLEEVE LENGTH TO CUTOFF	
	LED	NON-LED
6.0	NONE (use full length sleeve)	NONE (use full length sleeve)
1.0 inch	Not Applicable, Sleeve not used	Not Applicable, Sleeve not used

- If the roof is between 1 inch and 6 inches, the extension sleeve may need to be trimmed.
- Measure the distance from the vehicle ceiling to the base of the MAXXFAN Dome fan. Cut the extension sleeve longer than the dimension measured to accommodate the depth of the garnish ring. Refer to table below for additional length required.

NOTE: Mark and cut the extension sleeve per figure 5 shown above.

VEHICLE ROOF THICKNESS	LENGTH TO ADD TO CEILING THICKNESS MEASUREMENT	
	LED	NON-LED
1 1/8 to 5 7/8 inch	15/16 inch	1/2 inch



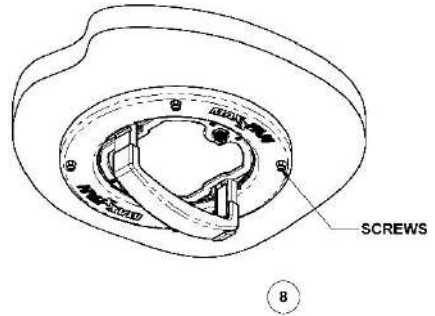
STEP 6 Non-LED MAXXFAN Dome

Using the supplied wire splices, connect the Positive (+) 12VDC supply wire to the **MAXXFAN Dome** fan wire marked "POS 12VDC" and the Negative (-) 12VDC supply wire to the **MAXXFAN Dome** fan wire marked "Neg. 12VDC".

- If the sleeve is needed, insert the sleeve into the garnish ring positioning the notch in the sleeve to line up the wiring.
- Raise the garnish ring to the ceiling ensuring that the garnish ring is centered over the fan opening.
- If using the sleeve, the sleeve will overlap the base that extends in the

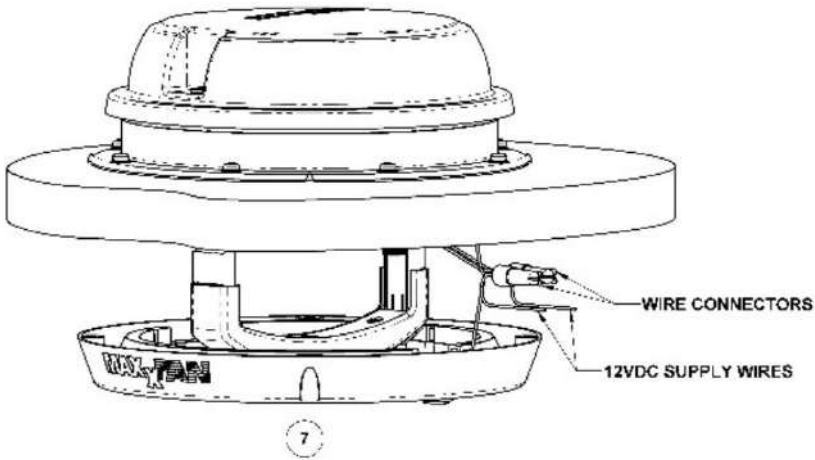
opening. This will help center the garnish ring in the opening.

- Ensure that the wires are not pinched. The wires should be routed on the outside of the sleeve. The excess wire should lay in the garnish ring to keep them contained.



- Secure the garnish ring to the ceiling with the four (4) screws provided in the small parts package.
- Reconnect the main vehicle power to the **MAXXFAN Dome**.

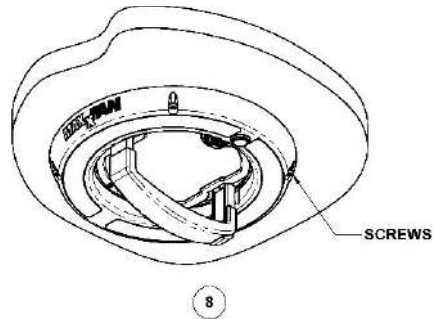
This completes the installation of the MAXXFAN Dome exhaust fan.



STEP 7 LED MAXXFAN Dome

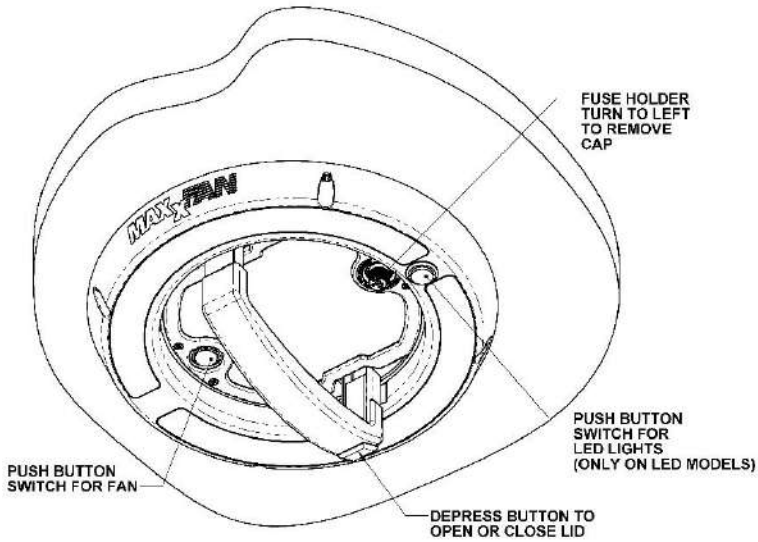
Using the supplied wire nuts, connect the Positive (+) 12VDC supply wire to the **MAXXFAN Dome** fan wire and the LED light wire marked "POS 12VDC" and the Negative (-) 12VDC supply wire to the **MAXXFAN Dome** fan wire and the LED light wire marked "Neg. 12VDC".

- If the sleeve is needed, insert the sleeve into the garnish ring positioning the notch in the sleeve to line up the wiring.
- Raise the garnish ring to the ceiling ensuring that the garnish ring is centered over the fan opening.
- If using the sleeve, the sleeve will overlap the base that extends in the opening. This will help center the garnish ring in the opening.
- Ensure that the wires are not pinched. The wires should be routed on the outside of the sleeve. The excess wire and wire nuts should lay in the garnish ring to keep them contained.



- Secure the garnish ring to the ceiling with the four (4) screws provided in the small parts package.
- Reconnect the main vehicle power to the **MAXXFAN Dome**.

This completes the installation of the MAXXFAN Dome fan.



OPERATION OF YOUR MAXXFAN Dome fan

- To open the MAXXFAN Dome lid push the button on the handle to dis-engage the clip and slide the handle up till the clip engages the upper opening.
- To close the lid, push the button on the handle to dis-engage the clip and pull the handle down till the clip engages the lower opening.
- Operation of your **MAXXFAN Dome** simply entails pushing the ON/OFF button on the fan to activate the exhaust fan.
- The optional LED lighting on the garnish ring is operated by the push button on the garnish ring. The LED lighting and fan operate independently
- Close the lid to impede infiltration of air when exhaust fan is not in use.
- The MAXXFAN Dome fan should not be operated with the lid closed.

USER INSTRUCTIONS SERVICING

Cleaning of your **MAXXFAN Dome** may be achieved with mild soap and water only. The screen can be removed for cleaning by removing the four (4) screws.

Before removing the screen for cleaning, ensure the fan is turned to the OFF position.

CAUTION: Do not operate the fan with the screen removed.

The **MAXXFAN Dome** fan has a 5 amp fuse. To access the fuse, turn the fuse cap to the left to remove the cap. Replace the fuse with a 5 amp, type GMA fast acting fuse. Replace the fuse cap to secure the fuse in the fuse holder.

Should you have questions, please contact AIRXCEL / MAXXAIR VENTILATION SOLUTIONS Customer Service at 316.832.4357.

For WARRANTY information, please visit www.airxcel.com/maxxair.

PLACE CONSUMER LABEL HERE



For additional product information please visit www.AIRXCEL.com
AIRCEL, INC. – RV Products Division / MAXXAIR
3050 N. St. Francis St. • Wichita, KS 67219 • 316.832.3400